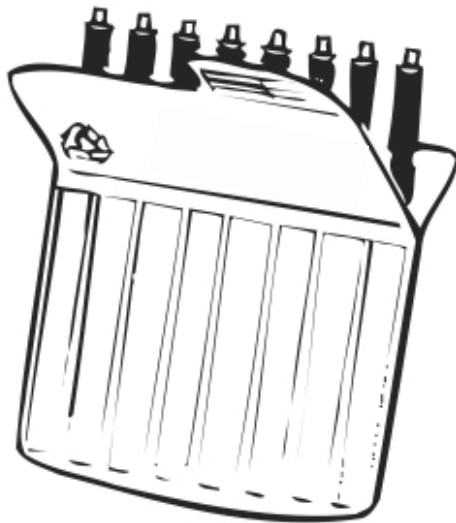
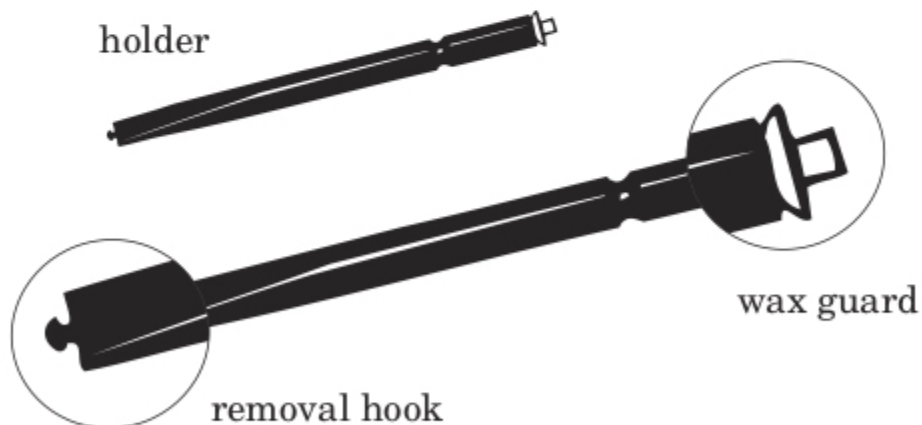


REMOVING THE USED WAX FILTER



CeruSTOP™
wax guards
come in a
carrying case.



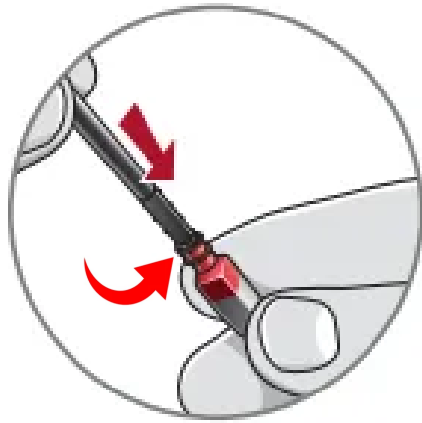
A white wax guard is mounted on one end of the holder. At the other end is a hook for removing the used wax guard.

When should I change my wax guard?

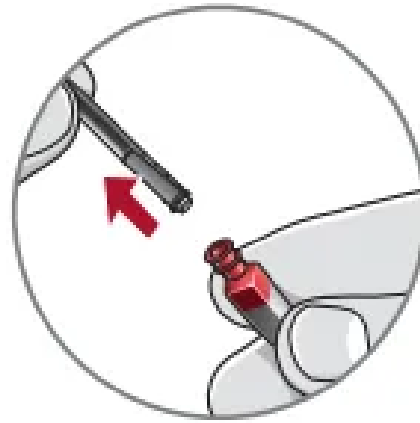
Since the amount of earwax produced by each individual can vary dramatically, it is recommended that the wax guard be checked daily.

If the hearing aid is weak/silent or if wax is visible in the wax guard, it's time to change the wax guard.

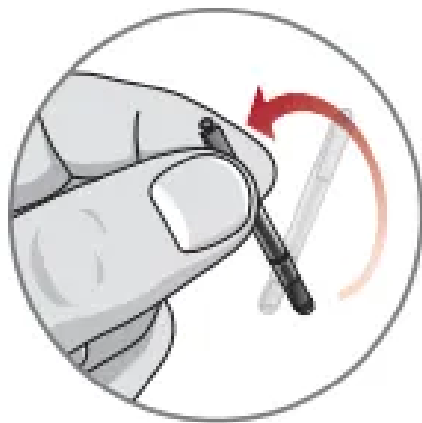
REMOVING THE USED WAX FILTER



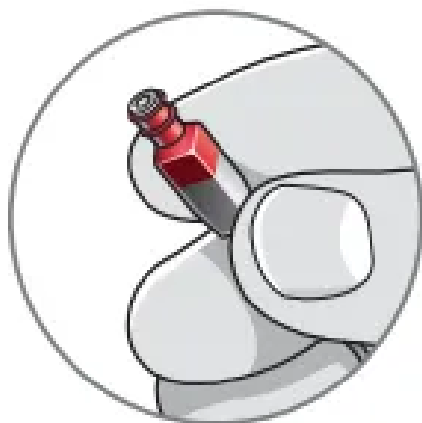
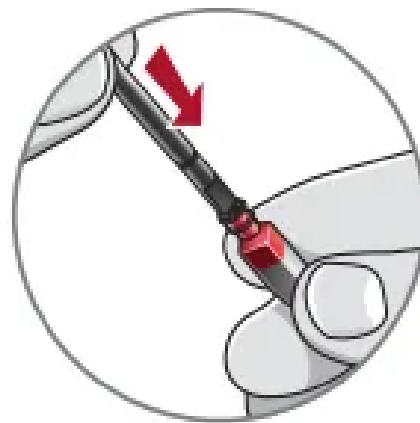
1



2



3

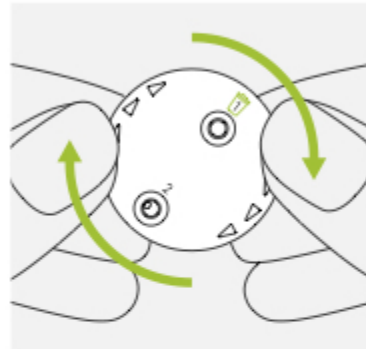


4

HOW TO REPLACE THE USED WAX FILTER (CERUSHIELD)

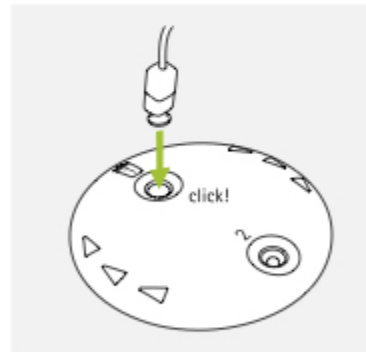
1

Gently rotate the CeruShield Disk in the direction indicated by the arrows until a free opening appears under the bin icon.



2

To remove a used earwax protector carefully insert the speaker into the free opening (under bin icon) until it clicks. After the click you will see the removed earwax protector in the opening below the bin icon.



3

To insert a new earwax protector carefully insert the speaker into the opening where the new earwax protector is visible (opposite the bin icon) until it clicks. After the click you will see the opening below is empty and the new earwax protector sits in the speaker.

